

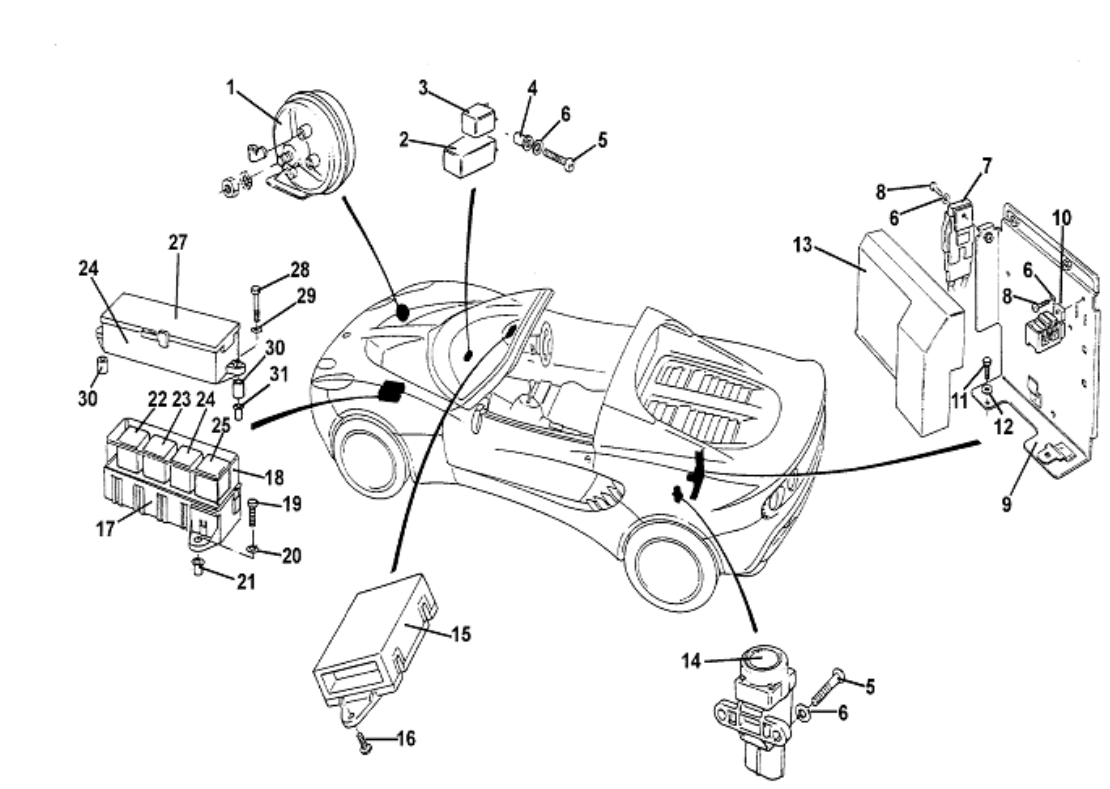


FITTING TIPS FOR S2 LED REAR TAIL LIGHTS

BEFORE REMOVING YOUR ORIGINAL LAMPS TEST THESE BY CONNECTING TO THE PLUG CONNECTORS THAT ARE PRESENTLY ATTACHED TO THE ORIGINAL TAIL LIGHT AND INDICATOR UNITS

The indicators will flash fast without the LED Indicator Flasher Unit installed but **DO NOT** install the new relay until the LED's are fully installed/connected; the relay will blow if all front and rear standard bulbs are illuminated.

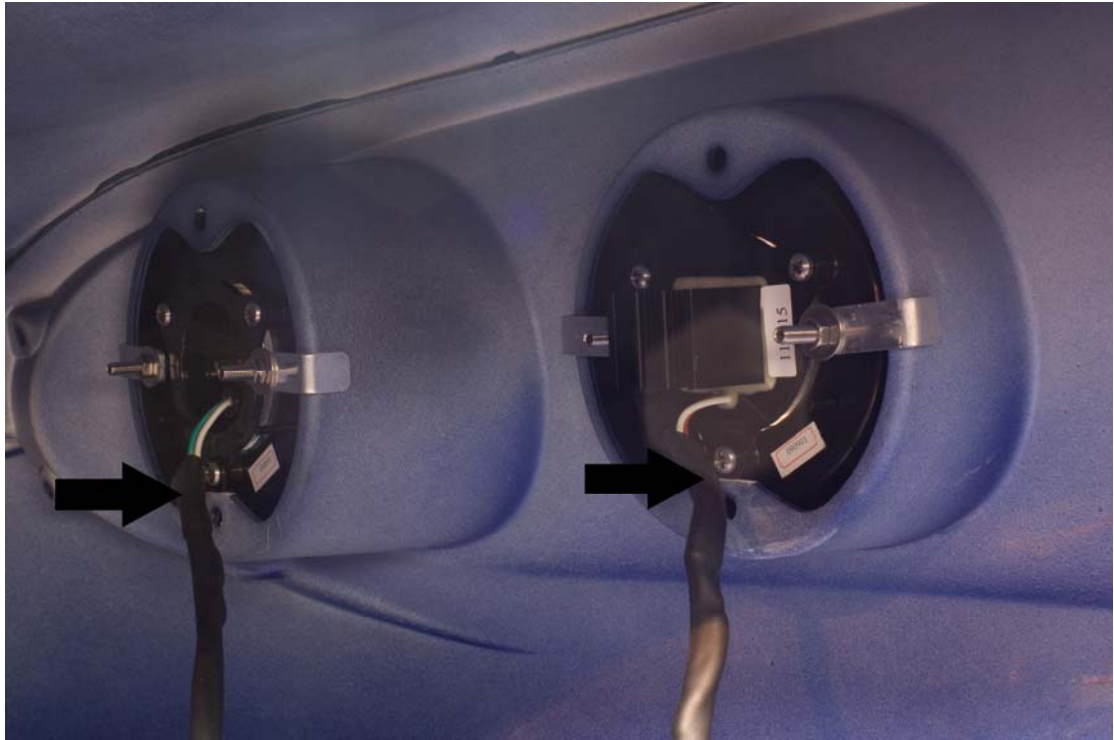
The Indicator Flasher Unit is under the dash board passenger side **Number 3** below.



WHEN YOU ARE SATISFIED ALL CONNECTIONS ARE CORRECT; REPLACE WITH THE NEW ONE PROVIDED.

The new LED's are marked FOG Lamp and REVERSING Lamp.

Use the aluminium clamps as shown in the picture to hold the lamps in place.



DO NOT OVERTIGHTEN AS THE SCREWS ARE ONLY INTO PLASTIC.

Make sure you have the lamp the correct way up

To install the lamps you will need to file down a few mm of the LOWER aperture arrowed in the pictures.

